



Oil & Gas - Cable Solutions

Refineries & Petrochemical - Onshore

Low Voltage & Control Cables

IEC 60502-1

Cu/XLPE/PVC or LSZH/LS/PVC or LSZH/SWA/PVC or LSZH 0,6/1 kV

Power cables 0,6/1 kV with Chemical Barrier. Flame retardant, low smoke and halogen free (only LSZH version). Design option with insect repellent/rodent protection; Arctic Grade design option; Fire Resistant version: all available on demand.

APPLICATION

Low Voltage & Control cables used for underground fixed installations of power supply and control applications. Prysmian offers a wide range of LV & Control cables with diverse design options depending on the reference standards and customer requirements.

STANDARDS & APPROVALS

IEC 60502-1 Design guidelines
IEC 60332-1-2 Flame retardance
IEC-60332-3-22 or 24 Fire retardance
IEC-60754-1 / ...-2 Halogen free properties
IEC-61034-1 / 2 Smoke emission properties

on request

IEC-60754-1 / ...-2 Halogen free properties
IEC-61034-1 / 2 Smoke emission properties

on request

CSA 22.2 n. 38/95 or IEC 60811
Cold bend/impact test at low temperature

DESIGN & CONSTRUCTION

1 CONDUCTOR

Cu

Annealed copper conductor according to IEC 60228 cl. 2 (or cl. 5 on request) from 1.5 to 630 mm², single core, three cores, multicore

2 INSULATION

XLPE

3 BEDDING/INNER COVERING

PVC or LSZH

4 CHEMICAL BARRIER

LS

Lead alloy E
DRYLAM® (multilayer sheath) instead of Lead sheath available on demand

5 SEPARATION SHEATH

PVC or LSZH

6 ARMOURING

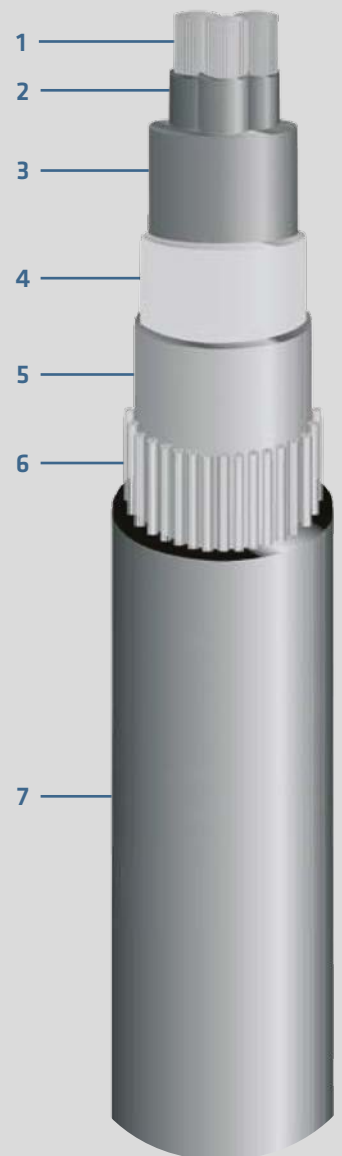
SWA

Steel Wire Armour (Double Steel Tape - DSTA available on demand, aluminium for single core)

7 OUTER SHEATH

PVC or LSZH

Hydrocarbon resistant option available on demand



R/P LV&C IEC Chem. Barr - 09/2017

CONTACT INFO:
prysmianoilandgas@prysmiangroup.com
www.prysmiangroup.com/contact-us

Prysmian
Group



Oil & Gas - Cable Solutions

Refineries & Petrochemical - Onshore

Low Voltage & Control Cables

IEC 60502-1

PERFORMANCES/RATINGS

FIRE
BEHAVIOUR



IEC 60332-1-2
IEC 60332-3-22 or 24
IEC 60331-21 (only FR version)

CHEMICAL
RESISTANCE



EXCELLENT

IMPACTS



GOOD

SMOKE DENSITY,
CORROSIVITY
AND TOXICITY



LOW EMISSION
(only LSZH version)

MIN.
INSTALLATION
TEMPERATURE



-5 °C (PVC)
-15 °C (LSZH)
(-40°C for Arctic Grade)

MAX
OPERATING
TEMPERATURE



+90 °C

SHORT
CIRCUIT
TEMPERATURE



+250 °C

LEAD



Lead Free
(only Drylam™ option)

QUALITY & TESTING

Prysmian has a built-in multi-step quality assurance program, covering the production process from cable design and raw material purchases to final inspection and testing documentation.

The ISO 9001 quality system of Prysmian Group (together with ISO 14001 and OHSAS 18001) has been assessed, approved and is currently audited by SGS.

This product information sheet is provided for reference only.

Please consult the factory or your representative to confirm all engineering information or refer to the related catalogues available in the local countries website.

CONTACT INFO:
prysmianoilandgas@prysmiangroup.com
www.prysmiangroup.com/contact-us

Prysmian
Group