



Oil & Gas - Cable Solutions

Refineries & Petrochemical - Onshore

Low Voltage & Control Cables

IEC 60502-1 / IEC 60331

Cu/MGT/XLPE/LSZH/LS/LSZH 0,6/1 kV

Cu/MGT/XLPE/LSZH/LS/LSZH/SWA/LSZH 0,6/1 kV

Power cables 0,6/1 kV with Chemical Barrier. Flame retardant, low smoke, halogen free, fire resistant. Armoured. Design option with insect repellent/rodent protection; Arctic Grade design option: all available on demand.

APPLICATION

Low Voltage & Control cables used for underground fixed installations of power supply and control applications. Prysmian offers a wide range of LV & Control cables with diverse design options depending on the reference standards and customer requirements.

STANDARDS & APPROVALS

IEC 60502-1 Design guidelines

IEC 60332-1-2 Flame retardance

IEC-60332-3-22 or 24 Fire retardance

IEC 60331-21/60331-1/2 plus EN 50200 annex E/

BS 6387 CWZ Fire Resistance

IEC-60754-1 /...-2 Halogen free properties

IEC-61034-1 / 2 Smoke emission properties

on request

CSA 22.2 n. 38/95 or IEC 60811

Cold bend/impact test at low temperature

DESIGN & CONSTRUCTION

1 CONDUCTOR

Cu

Annealed copper conductor according to IEC 60228 cl. 2 (or cl. 5 on request) from 1.5 to 630 mm², single core, three cores, multicore

2 FIRE BARRIER

MGT

Mica/glass tape

3 INSULATION

XLPE

Silicon rubber or HFFR are also available

4 BEDDING/INNER COVERING

LSZH

5 CHEMICAL BARRIER

LS

Lead alloy E

DRYLAM® (multilayer sheath) instead of Lead sheath available on demand

6 SEPARATION SHEATH

LSZH

7 ARMOURING

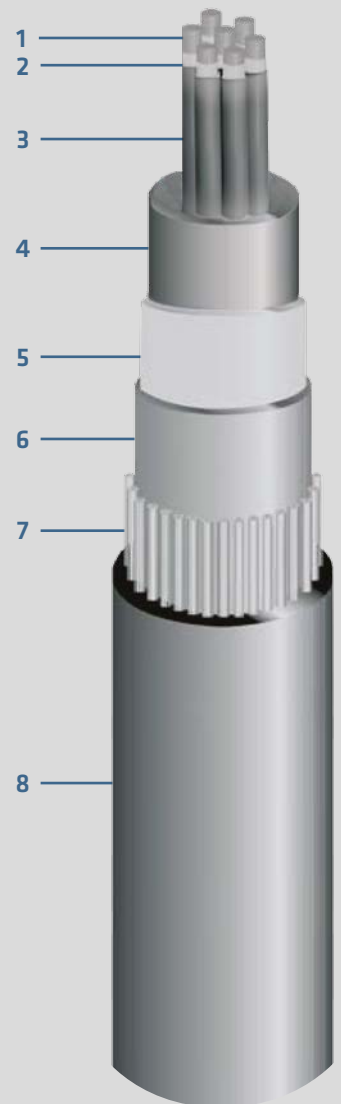
SWA

Steel Wire Armour (Double Steel Tape - DSTA available on demand, aluminium for single core)

8 OUTER SHEATH

LSZH

Hydrocarbon resistant option available on demand



R/P LV&C IEC FR Chem Barr - 09/2017

CONTACT INFO:

prysmianoilandgas@prysmiangroup.com

www.prysmiangroup.com/contact-us

Prysmian
Group



Oil & Gas - Cable Solutions

Refineries & Petrochemical - Onshore

Low Voltage & Control Cables

IEC 60502-1 / IEC 60331

PERFORMANCES/RATINGS

FIRE BEHAVIOUR



IEC 60332-1-2
IEC 60332-3-22 or 24
IEC 60331-21 / 60331-1/2 plus EN 50200 annex E
BS 6387 CWZ

CHEMICAL RESISTANCE



EXCELLENT

IMPACTS



GOOD

SMOKE DENSITY, CORROSIVITY AND TOXICITY



LOW EMISSION
(only LSZH version)

MIN. INSTALLATION TEMPERATURE



-15 °C (LSZH)
(-40 °C for Arctic Grade)

MAX OPERATING TEMPERATURE



+90 °C

SHORT CIRCUIT TEMPERATURE



+250 °C

LEAD



Lead Free
(only Drylam™ option)

QUALITY & TESTING

Prysmian has a built-in multi-step quality assurance program, covering the production process from cable design and raw material purchases to final inspection and testing documentation.

The ISO 9001 quality system of Prysmian Group (together with ISO 14001 and OHSAS 18001) has been assessed, approved and is currently audited by SGS.

This product information sheet is provided for reference only.

Please consult the factory or your representative to confirm all engineering information or refer to the related catalogues available in the local countries website.

CONTACT INFO:
prysmianoilandgas@prysmiangroup.com
www.prysmiangroup.com/contact-us

Prysmian
Group