

Compensation Cable Accessories

SWAYLESS® DAMPING DEVICE FOR SPEEDS UP TO 500 FT/MIN • 2.54 M/SEC

US patent 6,234,277, Euro patent 1,177,150

Part Number	Overall Dimensions	Center opening	Quantity
WF-SRD	6-1/4 x 3-15/16 x 2-3/4 in.	2-3/4 in.	2
WF-SRD-1	6-1/4 x 3-15/16 x 2-3/4 in.	2-3/4 in.	1
WF-SRD-M*	158 x 100 x 70 mm	70 mm	2
WF-SRD-BR	brass ring replacement	2-3/4 in. • 70 mm	1

Two Swayless devices are required per installation. The WF-SRD-M metric version uses metric nuts and bolts for closure and attachment. Mounting brackets are sold separately (below).

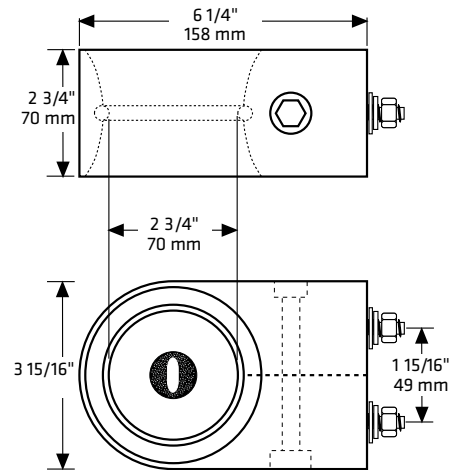
WF-SRD Swayless damping devices are recommended for maintaining smooth operation of Whisper-Flex compensation cables for speeds of up to 500 feet/min • 2.54 m/sec.

The purpose of the WF-SRD is to dampen any oscillation or cable sway that may be generated by cable motion at higher speeds. The damping device is not usually required but can be used for speeds less than 350 feet/min • 1.78 m/sec. Proper installation requires that compensation cable should not contact the ring of the damping device when the cable is stationary. Cable must be centered within the holes.

As the car and counterweight move, the damping device keeps the compensation cable in position for optimum operation.

The WF-SRD can be used for Whisper-Flex sizes WF075 to WF30 and QuietLink II sizes QL075 to QL30. Draka Elevator offers mounting brackets for easy installation in the elevator pit. Consult the Compensation Cable Installation Guide for the installation of damping devices.

For shallow pits not allowing three feet height above cable loop, please call Draka Elevator for engineering assistance.

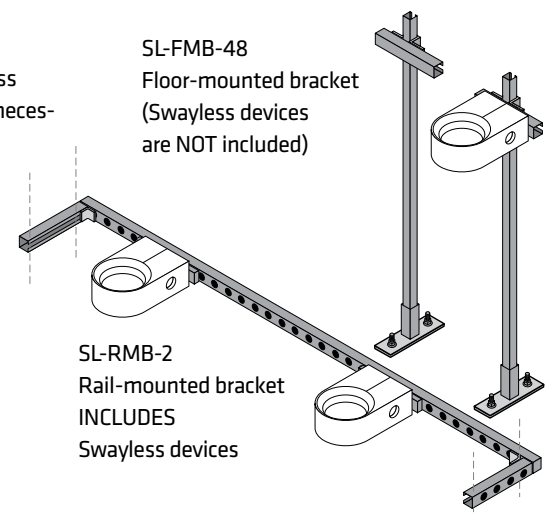


Wire Rope, Compensation and Accessories

Swayless® mounting brackets

Part Number	Description
SL-FMB-48	(2) floor-mounted brackets, adjustable to 48 in. • 1.2 m height
SL-FMB-2	(2) floor-mounted brackets, adjustable to 48 in. • 1.2 m height, includes (2) Swayless devices
SL-RMB-60	Counterweight rail-mounted bracket, adjustable to 60 in. • 1.5 m width
SL-RMB-2	Counterweight rail-mounted bracket, adjustable to 60 in. • 1.5 m width, includes (2) Swayless devices

These brackets are especially designed to help you to quickly and easily install Swayless devices off the counterweight guide rails and off the pit floor. They come with all the necessary hardware, including nuts and bolts.



Compensation Cable Accessories

SUPER SWAYLESS® DAMPING DEVICE FOR SPEEDS UP TO 700 FT/MIN • 3.56 M/SEC

Super Swayless

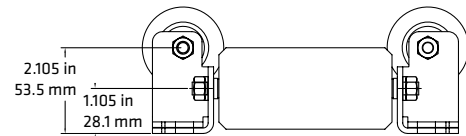
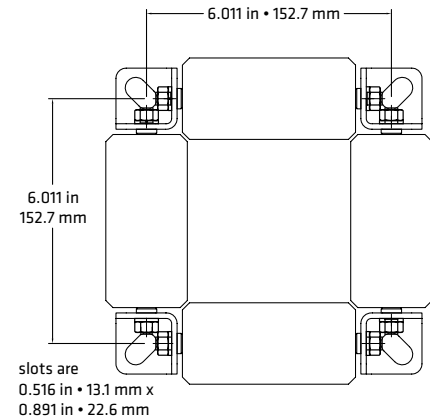
Part Number	Application	Overall Dimensions in • mm	Mounting Hole Dia. in • mm	Quantity
WF-RDD3	WF and QLII cables	8 x 8 x 3.1 • 203 x 203 x 79	1/2 • 13	1
WF-RDD3-S	Steady-Flex cables	8 x 8 x 3.1 • 203 x 203 x 79	1/2 • 13	1
ISOLATION PADS	Replacement pads	1.5 X 1.5 • 38.1 X 38.1	1/2 • 13	4

Two Super Swayless devices are required per installation. Mounting brackets are sold separately (below).

WF-RDD3 Super Swayless damping devices have an improved design which includes isolation pads at the base of each pillar to reduce vibration and noise. They are recommended for maintaining smooth operation of compensation cables for speeds of up to 700 feet/min • 3.56 m/sec.

The WF-RDD3 uses free-turning nylon rollers to contain and dampen any oscillation or cable sway that may be generated by cable motion at higher speeds. It can be used for all sizes of Whisper-Flex and QuietLink II compensation cables.

The WF-RDD3-S is the same construction, but designed especially for use on the wider-loop Steady-Flex cables.

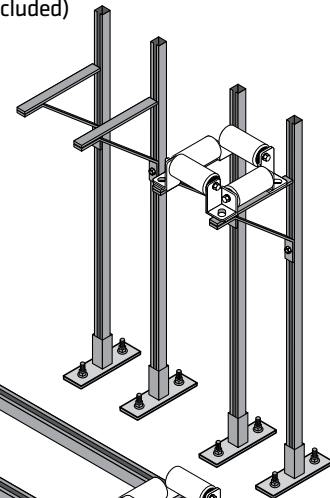


Super Swayless® mounting brackets

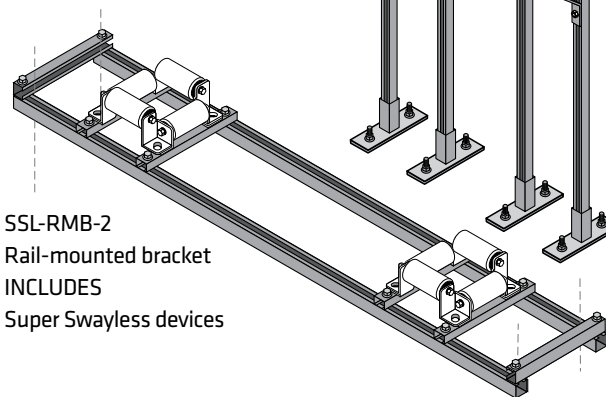
Part Number	Description
SSL-FMB-48	(2) floor-mounted brackets, adjustable to 48 in. • 1.2 m height, order WF-RDD3 or WF-RDD3-S separately
SSL-RMB-72	Counterweight rail-mounted bracket, adjustable to 72 in. • 1.8 m width, order WF-RDD3 or WF-RDD3-S separately
SSL-RMB-2	Counterweight rail-mounted bracket, adjustable to 72 in. • 1.8 m width, includes (2) Super Swayless devices (for use only on Whisper-Flex)

These brackets are especially designed to help you to quickly and easily install Super Swayless devices off the counterweight guide rails and off the pit floor. They come with all the necessary hardware, including nuts and bolts.

SSL-FMB-48
Floor-mounted bracket
(Super Swayless devices are NOT included)



SSL-RMB-2
Rail-mounted bracket
INCLUDES
Super Swayless devices



Compensation Cable Accessories

SHALLOWSWAYLESS® FOR SPEEDS UP TO 700 FT/MIN • 3.56 M/SEC AND PULLOUT SWITCH KIT

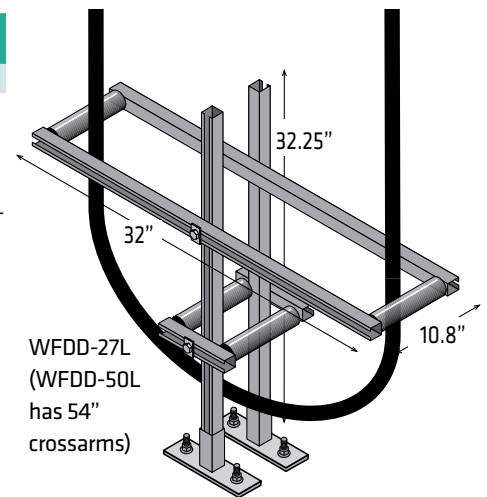
ShallowSwayless Damping Device

Part Number	Description
WFDD-27L	ShallowSwayless kit, for Whisper-Flex cable with maximum loop of 27 inches
WFDD-50L	ShallowSwayless kit, for Steadi-Flex cable with maximum loop of 50 inches

The ShallowSwayless is a sway reduction device for shallow pit applications where there is insufficient pit depth for Swayless or Super Swayless devices. It reduces compensation cable sway and oscillation in installations up to 700 ft/min • 3.56 m/sec. Two sizes are available; the 27L version is for Whisper-Flex and the 50L version is for Steadi-Flex.

NOTE: The ShallowSwayless is ONLY for shallow pit applications. To determine if a ShallowSwayless is required, note that compensating cable must remain vertical as it passes through the Swayless or Super Swayless damping devices. If this is not possible, even when the damping device is mounted at the compressed buffer height and the cable loop is within 6 inches of the pit floor, there is insufficient pit depth and the Shallow Swayless should be used.

The kit includes all components shown, including mounting bolts and washers.



Wire Rope, Compensation and Accessories

Pullout Switch and Installation Kit

Part Number	Description
36-207	Pullout switch, with flat key actuator and rotating head
WF-POSK	Pullout switch installation kit, which includes one pullout switch (#36-207), two split O-rings, two cable ties, two 4 x 40 mm pan-head screws, two 4 mm hex nuts, four 4 mm flat washers and two 4 mm lock washers.

The pullout switch is UL and C-UL listed and conforms to EN1088, EN292, EN60947-5-1, EN60204-1 and EN50047. The switch enclosure meets NEMA 6.

