

Drop wire

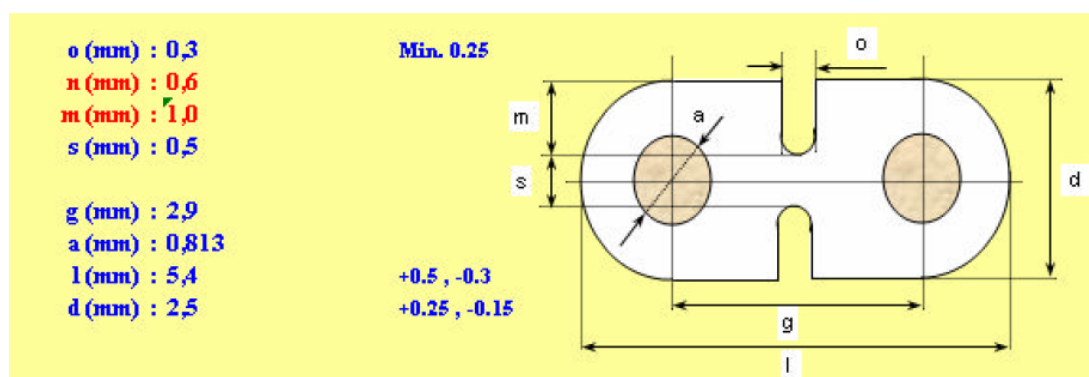
2-0.81 mm HDPE TDT 1108 REV 01

Drop wire



Construction

Conductor Copper covered steel wire. Nom diameter 0.813 mm
Insulation HDPE



Technical data

SAP code	Designation	Color	Delivery m	Drum type	Weight Kg / km
-	Drop wire	Black	250	Coil	18